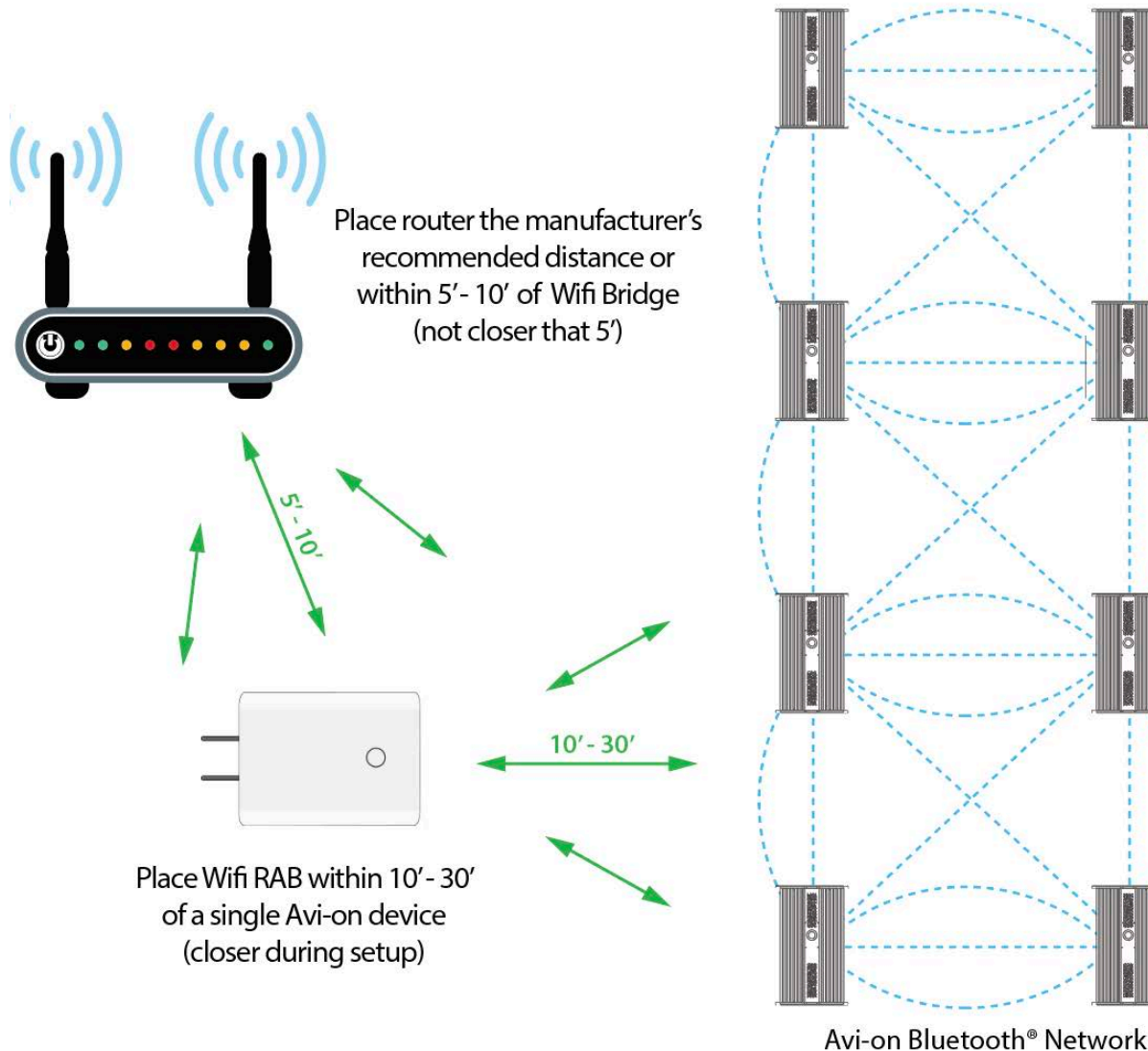


WiFi RAB Placement Diagram



CHOOSE A LOCATION WITH THE FOLLOWING

- Location with very **strong Wi-Fi** connection. Use the Wi-Fi indicator on your phone to visually check for Wi-Fi strength
- About **5 to 10 feet** from the local router. Do not place the Wi-Fi RAB closer than 5 feet, or further than 10 feet
- Within **10 to 30 feet** of the closest Avi-on Bluetooth node. The actual distance will depend on how/where things are installed and the performance of your local Wi-Fi network*

Note: The Wi-Fi RAB needs BOTH a strong connection with a close Avi-on Bluetooth node AND the router, or it will not set up. Or, it may set up, but then it will not have a stable connection to the cloud

**Installation conditions vary dramatically. Avi-on cannot predict or guarantee the distances needed in your situation*